

A

B

C

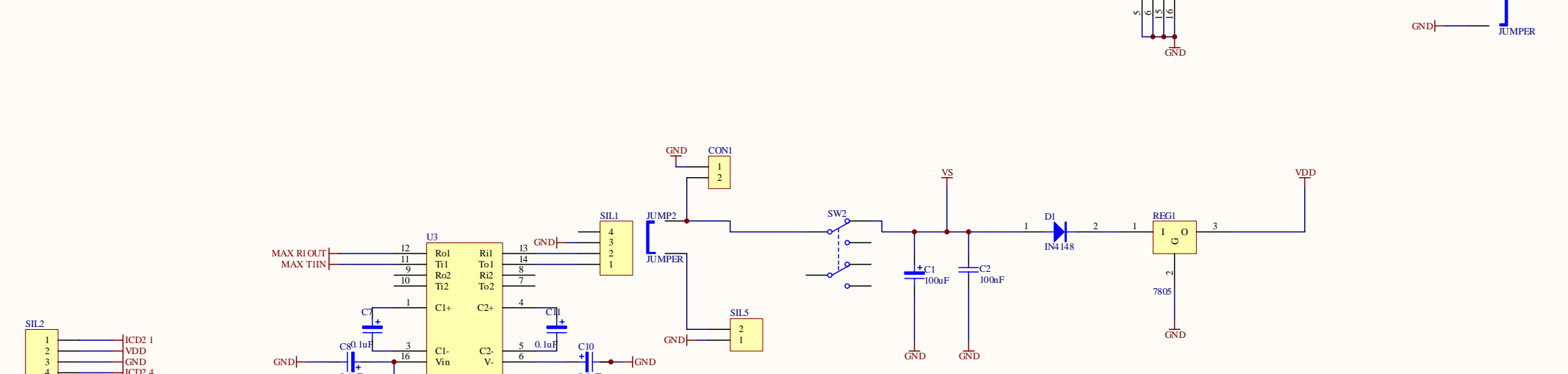
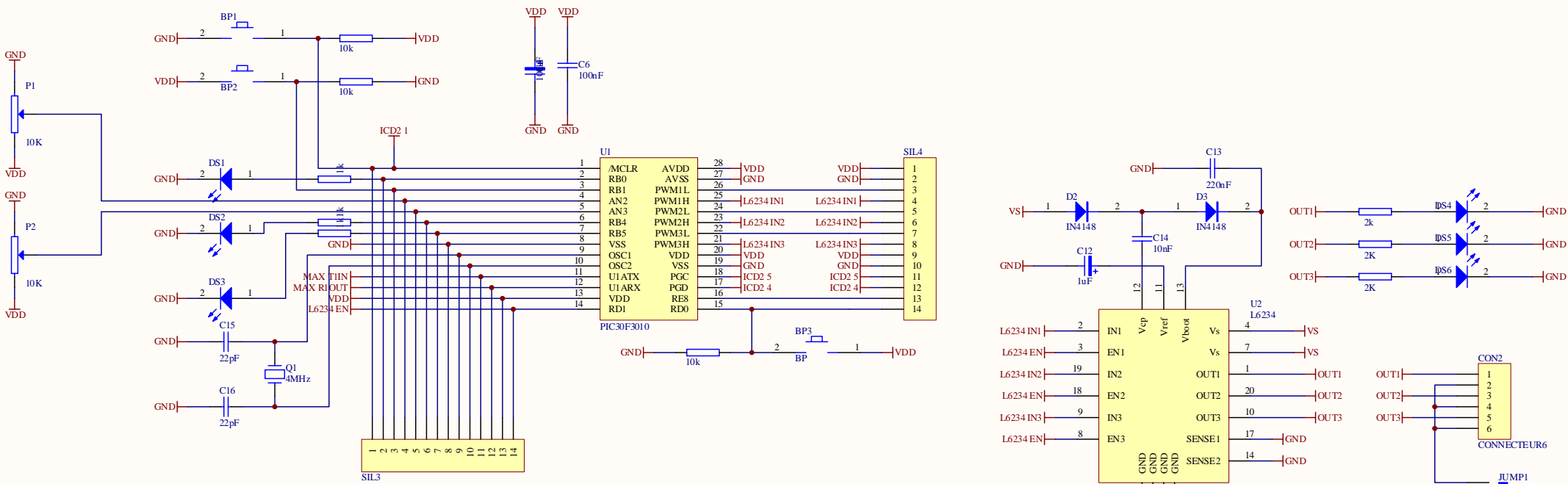
D

A

B

C

D



Title		
Size	Number	Revision
B		
Date:	22/02/2006	Sheet of
File:	D:\users\...MO\TEURLIN.SCHDOC	Drawn By: