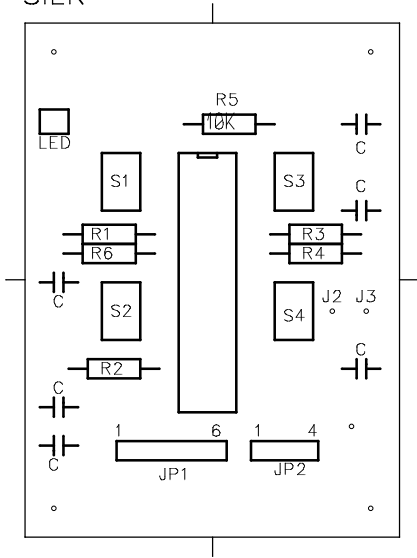


X10.silk

Thu, Dec 20, 2007 23:08

Component Xray Scale 1:1

SILK

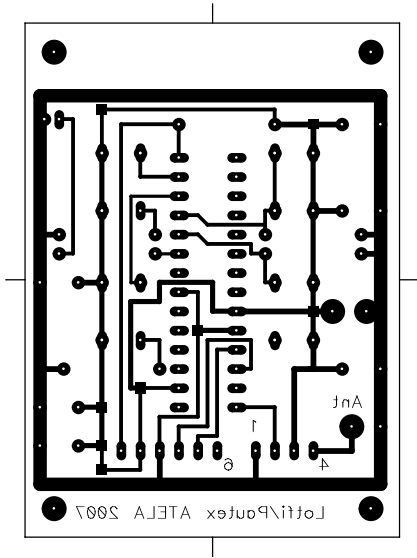


X10.silk

Thu, Dec 20, 2007 23:08

Component Xray Scale 1:1

DESIGN 2007



X10.silk

Thu, Dec 20, 2007 23:08

Component Xray Scale 1:1